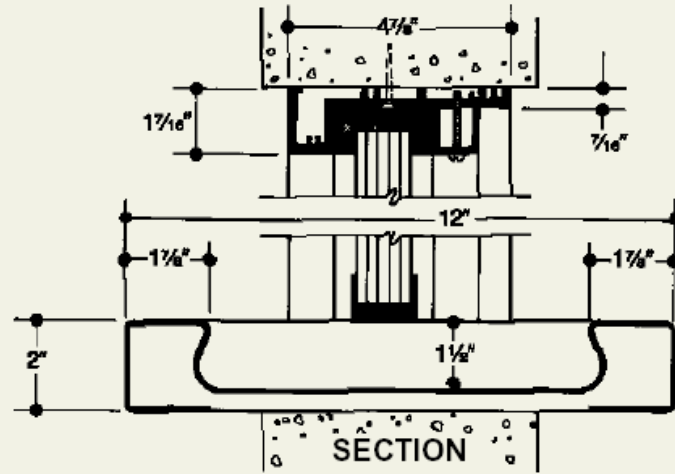


WORLDWIDE SAFE AND VAULT, INC.

Exchange Window



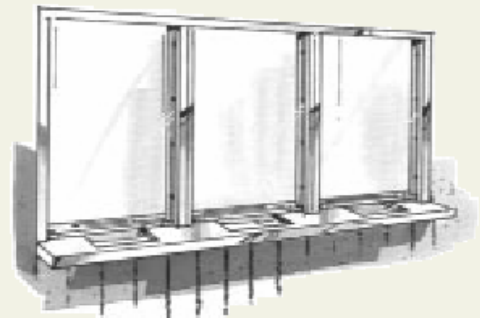
Exchange Window with natural voice transmission mounts into masonry opening or into bullet resistant reinforced stud wall. It can be made in single or multiple lites. The window frame is extruded aluminum and is fastened together with screws. Glazing material is held in place with rubber spacers which provide open space around side and top for natural voice transmission. Stainless steel shelf with built-in deal tray fits below window lite. Choice of bullet resistant glazing. Frame is available in clear or dark bronze anodized finish.



Exchange Window is for interior use only.

Model	W x H	Model	W x H
XW 2430	24" x 30"	XW 2436	24" x 36"
XW 3030	30" x 30"	XW 3036	30" x 36"
XW 3636	36" x 36"	XW 3636	36" x 36"
		XW 4836	48" x 36"
		XW 6036	60" x 36"
		XW 7236	72" x 36"

Exchange Window with Multi-Lites. Available in custom sizes. Priced upon application.



Worldwide Safe & Vault, Inc.

3660 N.W. 115th Avenue, Miami, Florida 33178 USA

Nationwide Toll Free: 800-932-2278

Local: 305-477-9266 * Fax: 305-477-9744

www.worldwidesafe.com

info@worldwidesafe.com