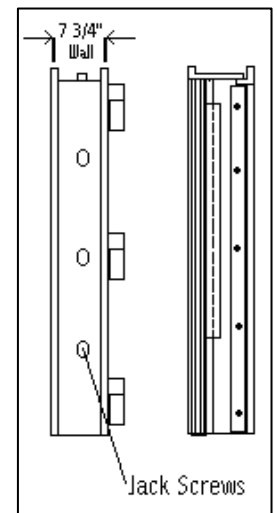
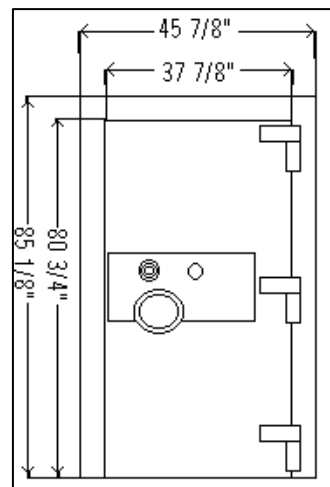
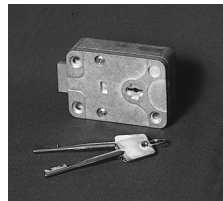


CE-Series Composite Fire & Burglary Resistive Vault Door

- Your very own personal vault in the convenience of your own home or office.
- Instead of buying three different safe sizes over a lifetime why not just buy one vault door?
- TL-30 Composite Construction Equivalent
- Custom Sizes available to cater to your masonry opening.
- Adjustable doorframe slides together to fit any wall thickness.
- 3 1/2" thick Composite Door, which includes an internal release mechanism.
- Six massive 1" thick bolts.
- Weight: 1793 lbs.
- Choice of eight colors with custom milled and spy proof combination dial.
- Outside: 85 1/8"H X 45 7/8"W
- Door opening: 80 3/4"H x 36 5/8"W
- Masonry Opening: 83 1/2"H x 42 1/2"W
- Optional Auxiliary Locks available.



Optional Electronic & Key Locks



Worldwide Safe & Vault, Inc.

3660 N.W. 115th Avenue, Miami, Florida 33178 USA

Nationwide Toll Free: 800-932-2278

Local: 305-477-9266 * Fax: 305-477-9744

www.worldwidesafe.com

info@worldwidesafe.com