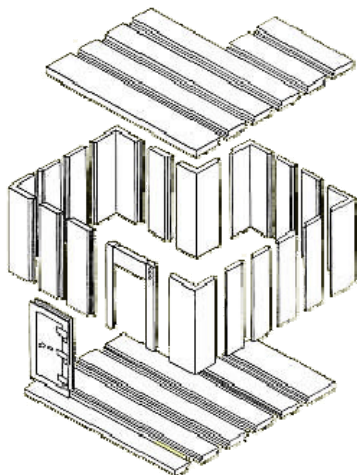


WORLDWIDE U.L. RATED MODULAR VAULT SYSTEMS

**Class M, 1, 2, 3
(Herculite Series)**



All the strength and security you have come to expect from WORLDWIDE in a new lightweight format. When space and weight are a major concern ...Herculite is the answer.

Class M 2" Thick	Herculite Series
Class I 2 1/2" Thick	
Class II 4" Thick	
Class III 7" Thick	

Since the introduction of modular vaults in the 70's there has developed a need in the marketplace for a "concrete" lightweight vault panel in all U.L. classes. Light-weight panels are normally required for high rise buildings and where heavy equipment cannot be used for the installation. Lightweight vaults have been and are still produced using organic materials and metal. WORLDWIDE is one of a few producers of this type of panel and will continue to manufacture this U.L. listed panels. The major reluctance in using these panels has been both their thickness and the acceptance of organic materials. Not until recently have materials become available that would allow the manufacturing of both a thin and lighter weight version using "concrete".

The "concrete" used for the Herculite panels is UHPC or Ultra High Performance Concrete. Only recently has UHPC been able to be produced outside the laboratory. Using this blend enables our engineering staff to tailor the concrete allowing for the extremely durable, strong "concrete" required for security barriers while producing less volume. The process of both mixing and manufacturing these panels is extremely technical and requires an educated, dedicated and well trained staff.

Although compressive PSI strength is only one factor to be considered concerning security of the panels, the Herculite panel has 2 1/2—3 times greater PSI than the AEGVS (concrete) series. Naturally, there is a premium paid for both lightweight series in comparison to the AEGVS series. The flexibility of having suitable U.L. listed alternatives available will allow you to serve your customer and potentially make some sites more attractive.

With the widest choice of vault systems available, the latest technologies and the quickest turnaround time in the industry, is there any reason you should not consider WORLDWIDE for your next vault need?

WORLDWIDE SAFE & VAULT 800-932-2278

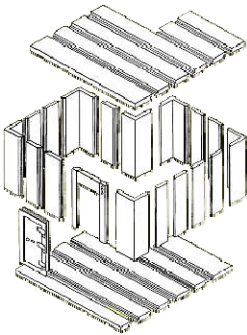
HERCULITE MODULAR VAULT PANELS

Why choose Herculite? Simple —

Herculite offers all the dependability you have come to know from Worldwide modular vault panels, combined with ultra high performance concrete in a lighter, thinner model. Security has just become thinner, lighter and stronger all at the same time. Herculite is the future of modular vault panels and it is available now from Worldwide Safe and Vault Call now for your quote!

TOP FEATURES

- U. L. Rated : Class M, Class I, Class II, Class III
- Panels are thinner than the AEGVS Series & Vision Series
- Panels weigh less than AEGVS Series panels
- Panels are made using Ultra High Performance Concrete.



U.L. CLASS	M	1	2	3
THICKNESS	2"	2 1/2"	4"	7"
WEIGHT PER SQUARE FOOT OF SURFACE	28 LBS.	35 LBS.	55 LBS.	96 LBS.

Worldwide Safe & Vault, Inc.

3660 N.W. 115th Avenue, Miami, Florida 33178 USA

Nationwide Toll Free: 800-932-2278

Local: 305-477-9266 * Fax: 305-477-9744

www.worldwidesafe.com

info@worldwidesafe.com